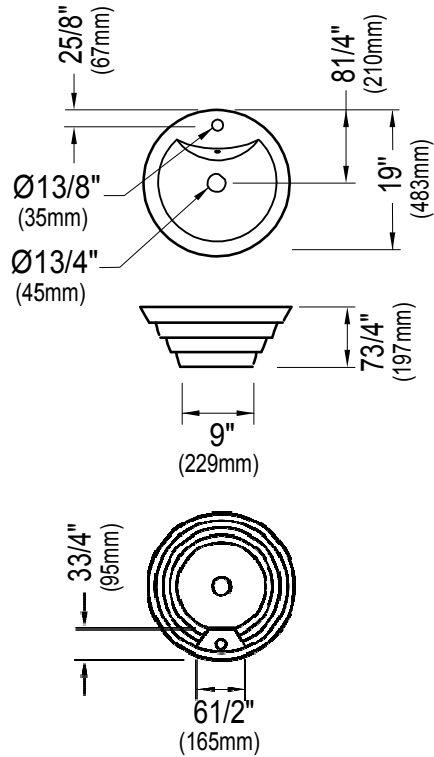




Produits Neptune

## SIENNA FP4614-1

Above Counter Sink



\* All dimensions are approximate and subject to change without notice.  
Please refer to the installation guide before beginning the installation.