

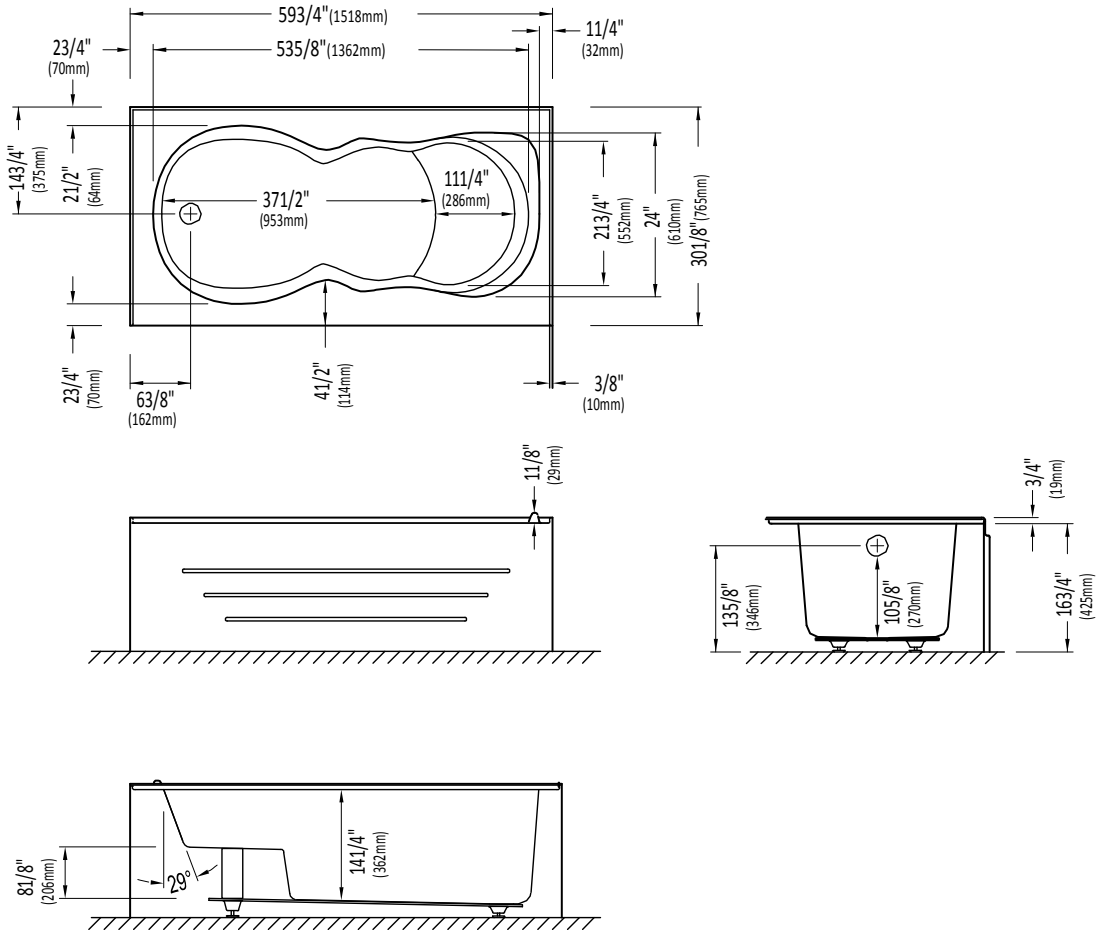


Produits Neptune

LAURA

LEFT DRAIN WITH SEAT AND WITH INTEGRAL SKIRT

Bathtub



Rear view

* A bathtub fitted with back jets can cause the pump to protrude by approximately 3" from the overall dimension.

** All dimensions are approximate and subject to change without notice. Please refer to the installation guide before beginning the installation

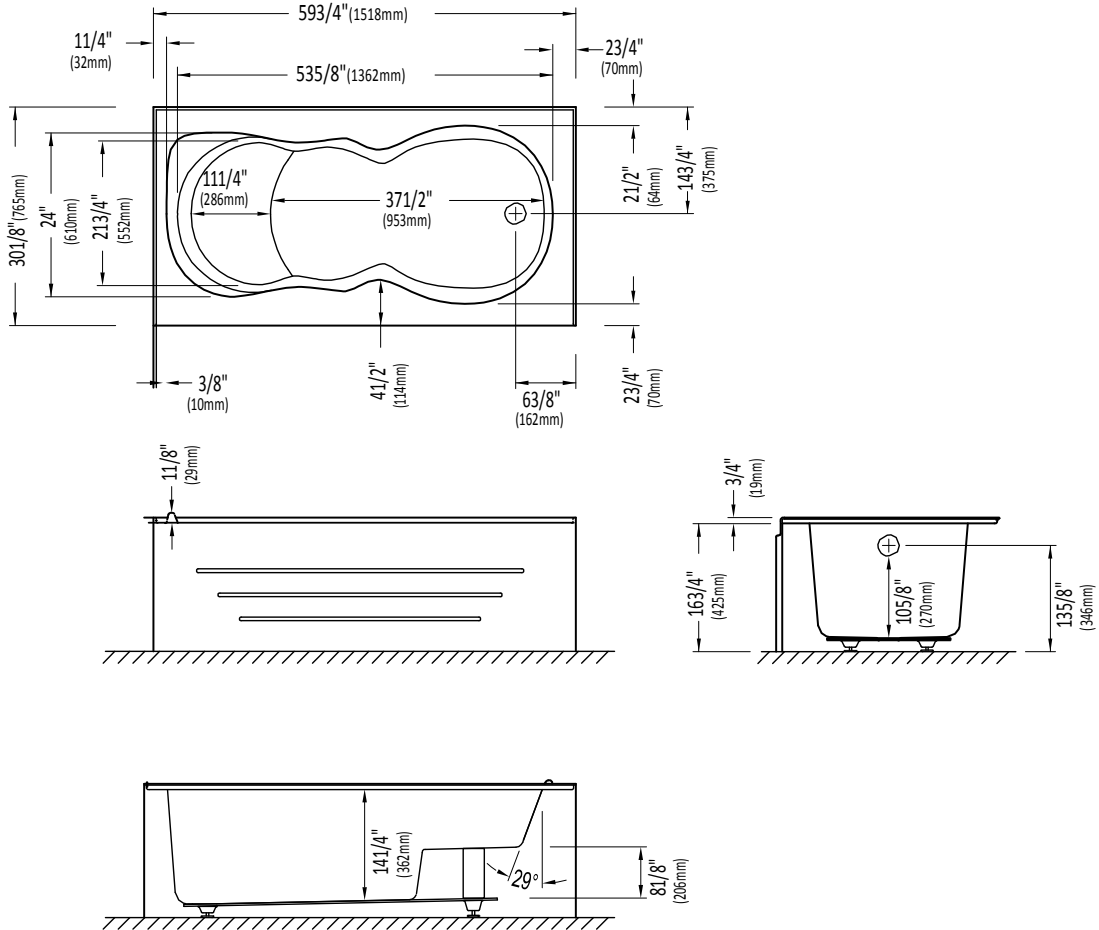


Produits Neptune

LAURA

RIGHT DRAIN WITH SEAT AND WITH INTEGRAL SKIRT

Bathtub



Rear view

* A bathtub fitted with back jets can cause the pump to protrude by approximately 3" from the overall dimension.

** All dimensions are approximate and subject to change without notice. Please refer to the installation guide before beginning the installation

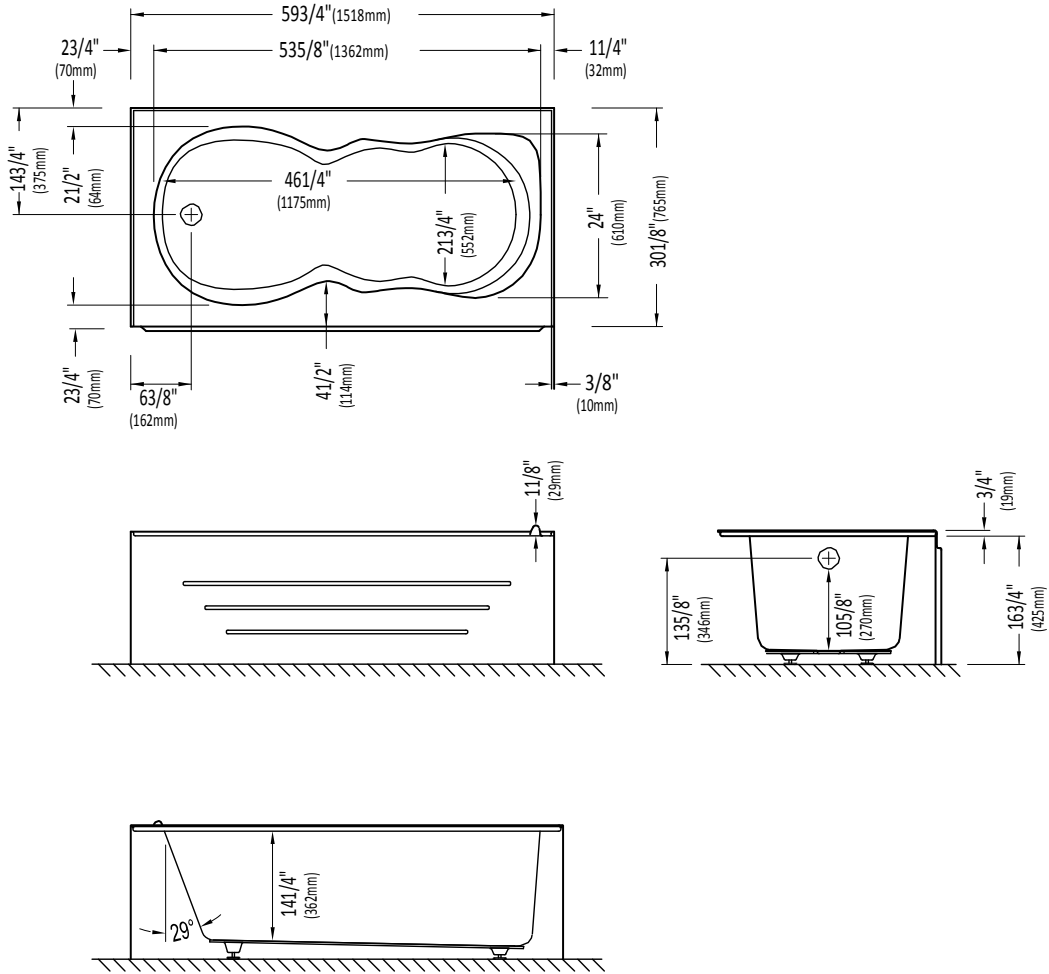


Produits Neptune

LAURA

LEFT DRAIN WITH INTEGRAL SKIRT

Bathtub



Rear view

* A bathtub fitted with back jets can cause the pump to protrude by approximately 3" from the overall dimension.

** All dimensions are approximate and subject to change without notice. Please refer to the installation guide before beginning the installation

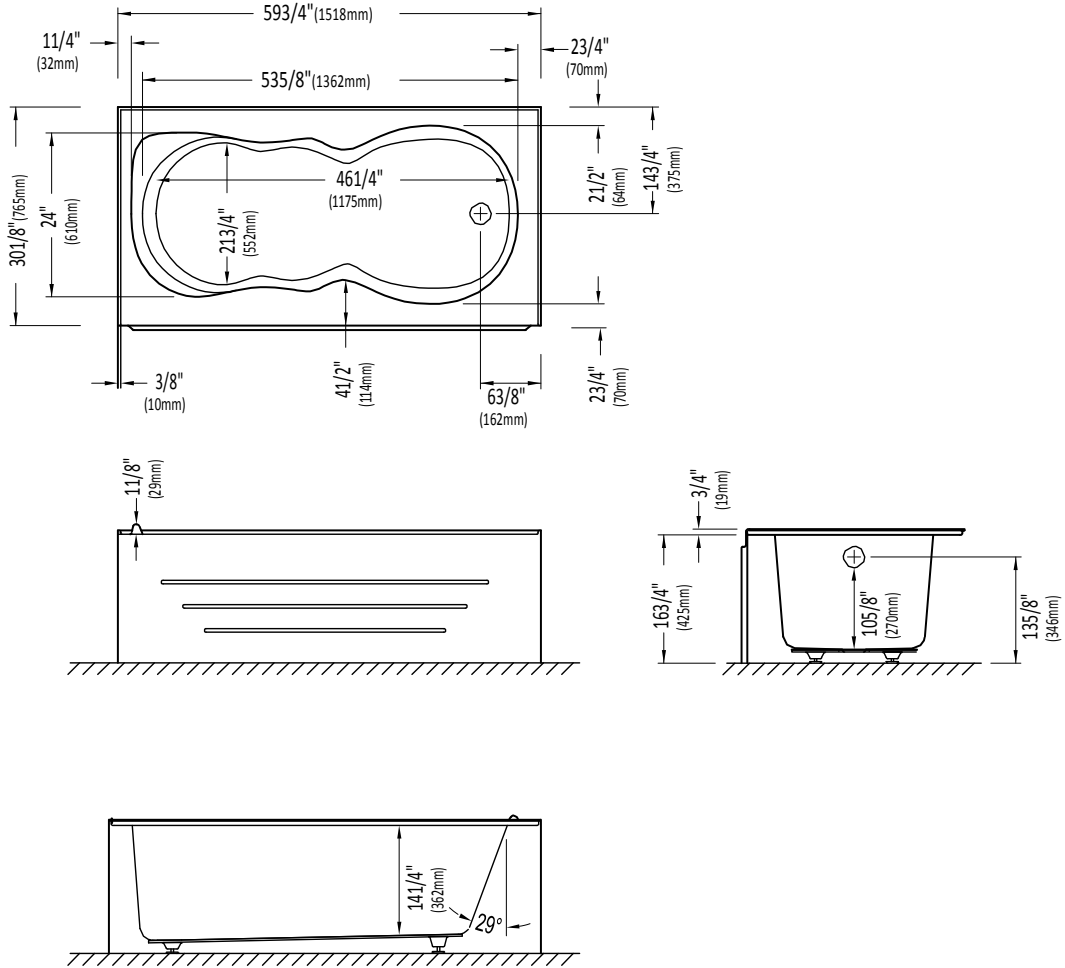


Produits Neptune

LAURA

RIGHT DRAIN WITH INTEGRAL SKIRT

Bathtub



Rear view

* A bathtub fitted with back jets can cause the pump to protrude by approximately 3" from the overall dimension.

** All dimensions are approximate and subject to change without notice. Please refer to the installation guide before beginning the installation