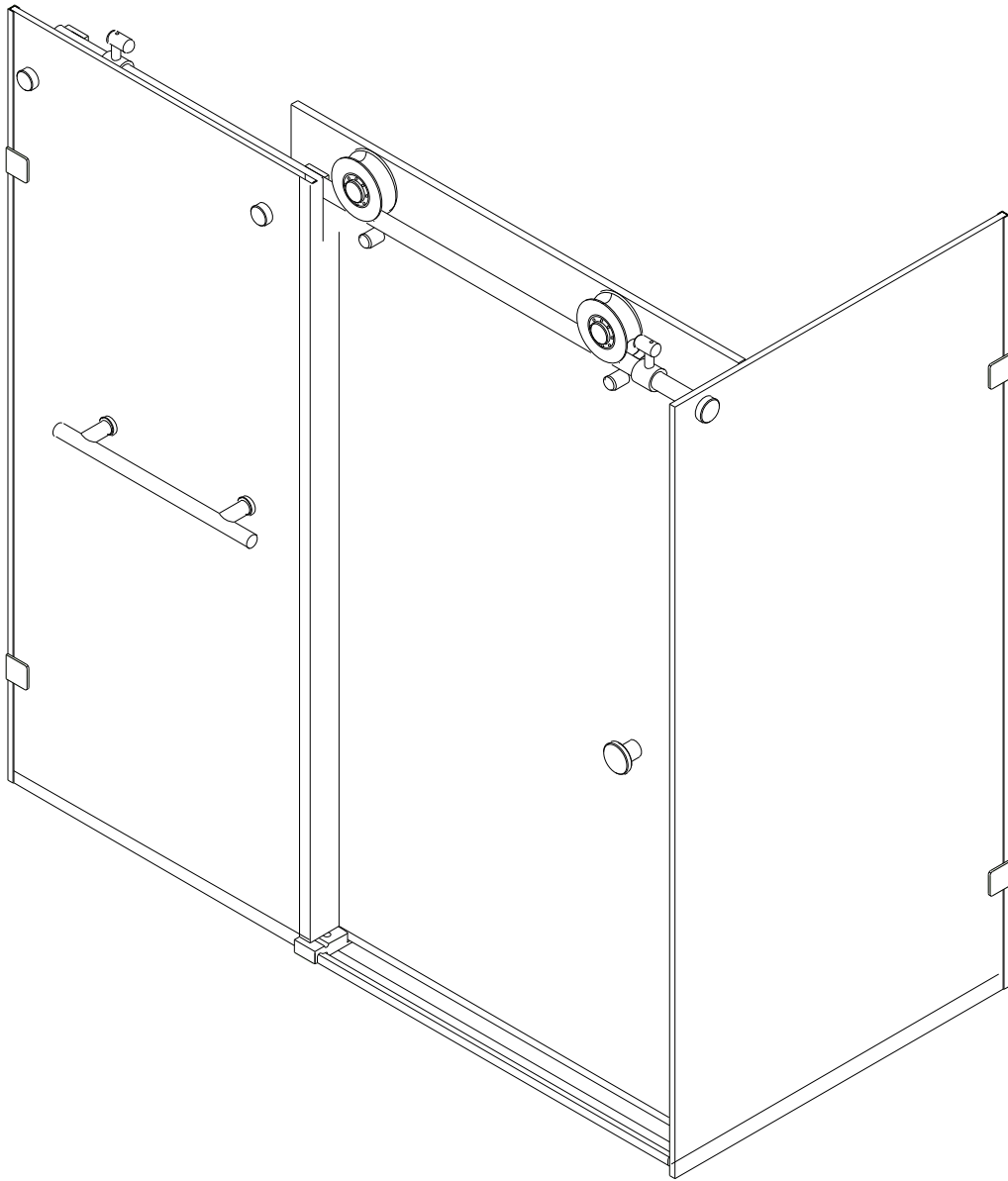


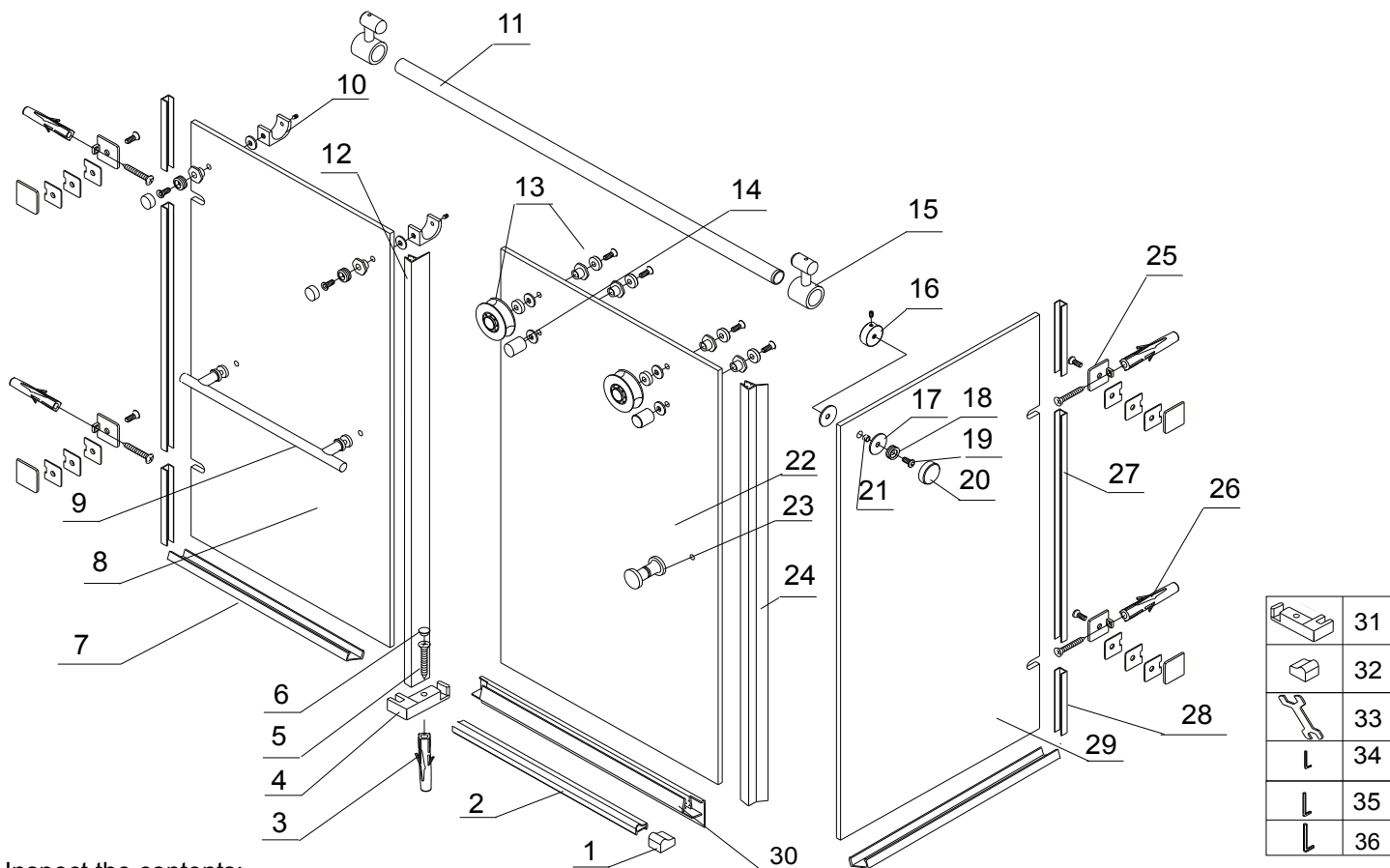


Produits Neptune

KARMA 3648-3660 INSTALLATION



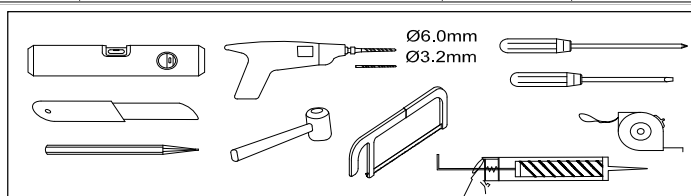
KARMA 3648 & 3660



1. Inspect the contents:

- Please verify that all the parts listed on the table have been included in the box.
- * In the case of missing parts, contact your distributor immediately.
- It is normal to find surplus parts once the installation is complete.
- The shower base must be perfectly level.

| ITEM | DESCRIPTION | DIMENSION | QTY | ITEM | DESCRIPTION | DIMENSION | QTY |
|------|----------------------|--|-----|------|----------------------|--|-----|
| 1 | Threshold cap | right | 1 | 19 | Screw | M8X20 | 1 |
| 2 | Threshold | 22" (56cm) | 1 | 20 | Tube cap | | 1 |
| 3 | Base plug | | 1 | 21 | Washer | | 1 |
| 4 | Door guide | right | 1 | 22 | Door panel | 31 1/8" (79.1cm) X 78 1/4" (198.8cm) 25 3/4" (65.4cm) X 78 1/4" (198.8cm) | 1 |
| 5 | Screw | ST5X30 | 1 | 23 | Handle | | 1 |
| 6 | Screw cap | | 1 | 24 | Waterproof door seal | 78 1/4" (198.8cm) | 1 |
| 7 | "U" channel | | 2 | 25 | Wall support bracket | | 4 |
| 8 | Fixed panel | 31 1/8" (79.1cm) X 78 3/4" (200cm) 23 7/8" (60.6cm) X 78 3/4" (200cm) | 1 | 26 | Wall plug | | 4 |
| 9 | Towel bar | | 1 | 27 | "U" channel | 58 7/8" (149.6cm) | 2 |
| 10 | Support tube hook | | 2 | 28 | "U" channel | 8 1/4" (20.8cm) | 4 |
| 11 | Stainless steel tube | 46" (116.8cm) ou 57 1/2" (146.1cm) | 1 | 29 | Fixed return panel | 34 3/8" (87.6cm) X 78 3/4" (200cm) | 1 |
| 12 | Waterproof seal | 78" (198.4cm) | 1 | 30 | Door swipe | 26 5/8" (67.6cm) ou 31 3/4" (79.4cm) | 1 |
| 13 | Wheel assembly | | 2 | 31 | Door guide | left | 1 |
| 14 | Blocking cylinder | | 2 | 32 | Threshold cap | left | 1 |
| 15 | Bumper system | | 2 | 33 | Plastic wrench | | 1 |
| 16 | Tube support | | 1 | 34 | Allen key | 3mm | 1 |
| 17 | Washer | | 1 | 35 | Allen key | 4mm | 1 |
| 18 | Insert | | 1 | 36 | Allen key | 5mm | 1 |



2 People



INSTALLATION

General information

Read the installation guide and warranty carefully and completely before proceeding or opening any hardware contents.

This shower door should be installed by a recommended professional installer.

Wear safety glasses, gloves and appropriate protective wear at all times during installation.

Verify that you have all the necessary tools and accessories as shown on page 2.

It is imperative to have a second person assisting on all steps of the installation for safety and ease of installation.

All dimensions shown are nominal.

NEVER allow the glass panel to come into contact with any other hard surface (tile, stone, ceramic, etc.), as it risks chipping or breakage.

Handle with care at all times.

Remove the protective poly-film from the flood rim before beginning the installation of your door.

The designs in this guide are shown as right side installation, for a left side installation mirror the images.

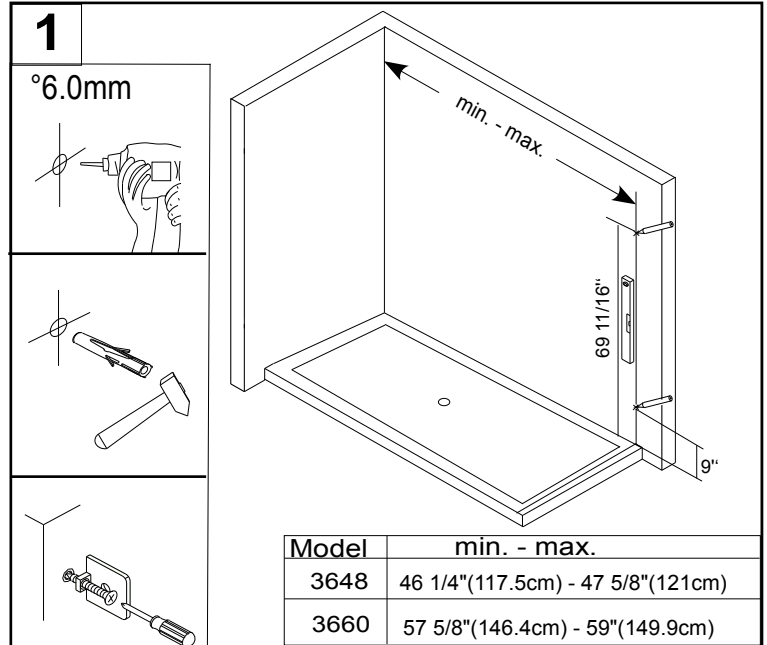
Step1 Wall support installation

Draw a vertical line on the wall (Figure 1), centered on the flood rim, while respecting the minimum and maximum seen on the table below figure 1 and extend line on the base, parallel to the rim.

Mark the locations for the screw holes on the wall at 9" and 69 11/16" from the flood rim along the line.

Drill the holes with the appropriate drill bit and insert the wall plugs.

Next attach the wall support brackets always checking their alignment.



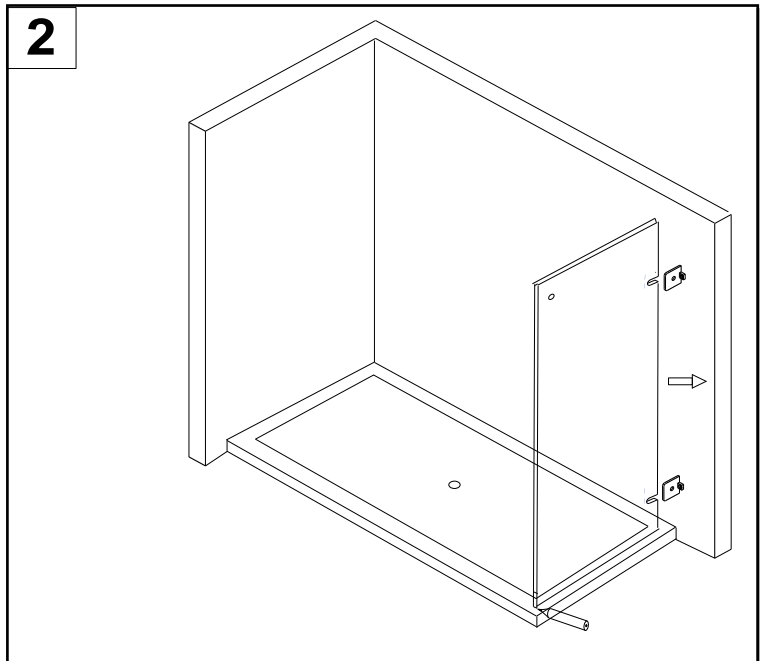
Step 2 "U" channel installation on fixed return panel

Clean thoroughly the base and the wall for dust and grease before installing the "U" channels.

Temporarily install the fixed return panel #29 being careful not to damage the base and verify that the panel meets the base and the wall correctly.

Mark reference points on the flood rim where the fixed panels end. (Figure 2)

Remove the fixed glass panel and place it securely aside.



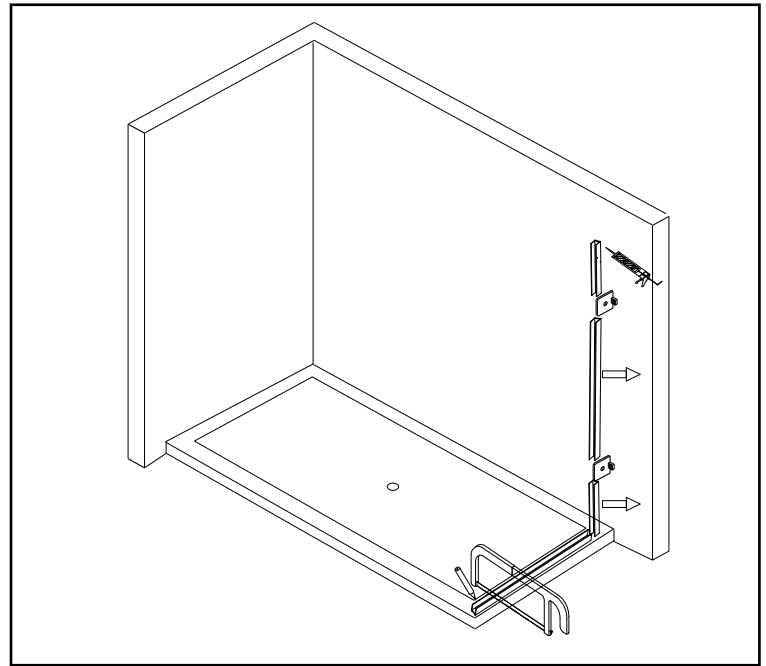
Step 2 "U" channel installation on fixed return panel (suite)

Apply a thin bead of silicon on the backside of the wall "U" channels and position them against the wall making sure they are well centered on the line previously marked.

Position the "U" channel #7 on the base, correctly centered on the line previously marked and abutting the wall "U" channel.

Write on the "U" channel #7 the mark corresponding to the end of the glass panel and cut the channel at this length.

Make sure you protect the "U" channel with masking tape before you cut it, making sure not to damage the chrome finish.



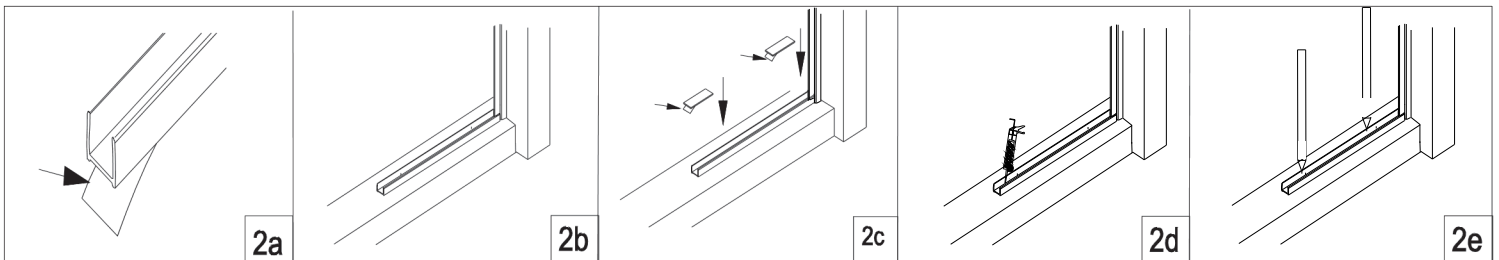
Installation on an acrylic base

Remove the protective ribbon of double backed tape from the back side of the "U" channel. (Figure 2a)

Position it at the reference point previously marked on the floor rim and centered on the marked line. (Figure 2b)

Insert plastic "U" channel shims in the interior of the channel. (Figure 2c)

Apply a thin bead of silicon inside the "U" channel. (Figure 2d)



Installation on a base made from porous material (stone, slate, etc.)

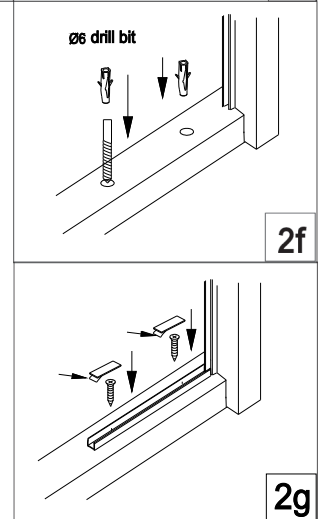
Temporarily position the "U" channel on the base and mark the drilling positions. (Figure 2e)

Remove the "U" channel, drill the holes using the appropriate drill bit and install with the provided plugs and screws. (Figure 2f)

Ensure screws are counter-sunk and that the screw heads are flush with "U" channel surface.

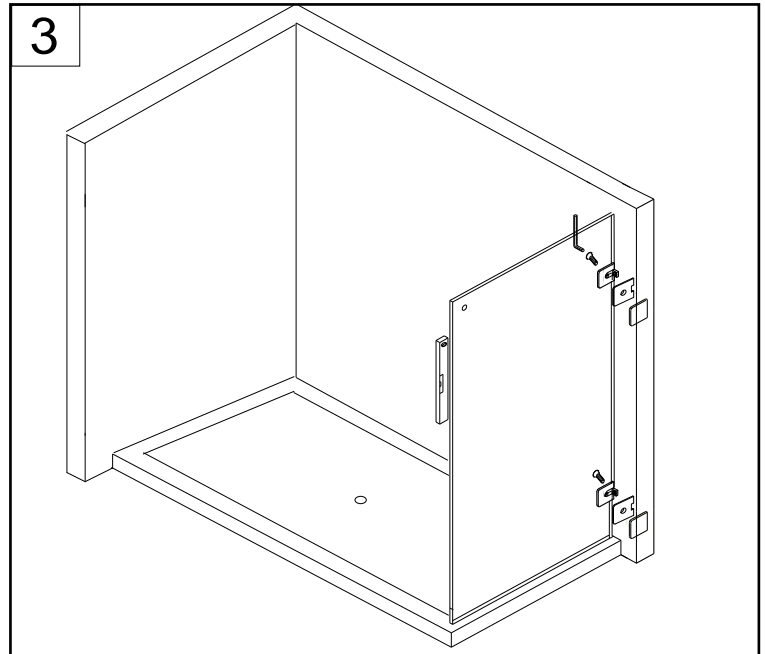
Insert plastic "U" channel shims in the interior of the channel. (Figure 2g)

Apply a thin bead of silicon inside the "U" channel. (Figure 2d)



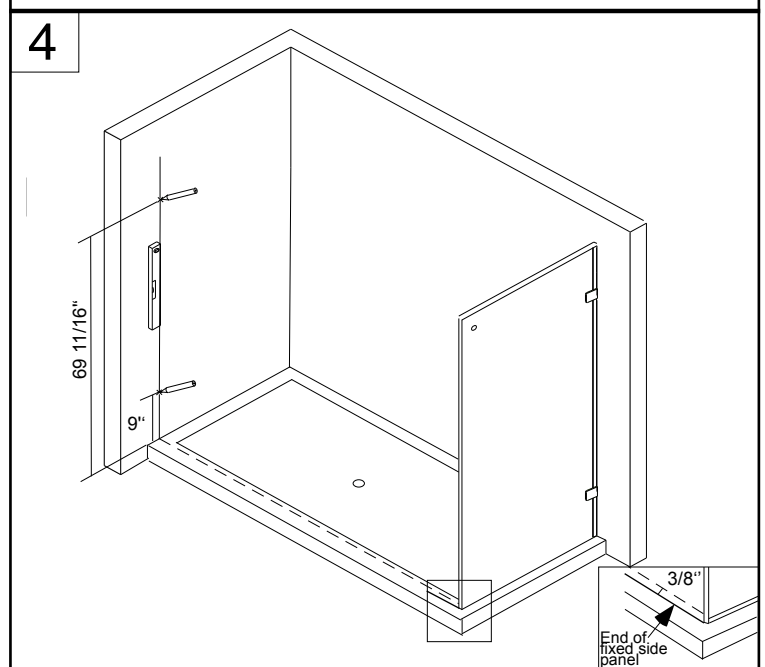
STEP 3 Fixed side panel installation

Position the fixed side panel against the wall, verify for proper integration in the interior of the "U" channels. Verify the panel is perfectly steady and keep in position inserting, if needed, the clear plastic shims inside the "U" channel. Immediately remove any surplus silicone with a clean dry cloth. Position the exterior plate of the bottom wall support bracket on the other side of the glass with a clear plastic spacer in between both of them and screw gently until partial resistance. Make sure both parts of the support bracket are correctly aligned and are never in contact with the glass. Repeat the operation with the top wall support bracket, then tighten gradually and entirely the screws, always verifying the alignment.



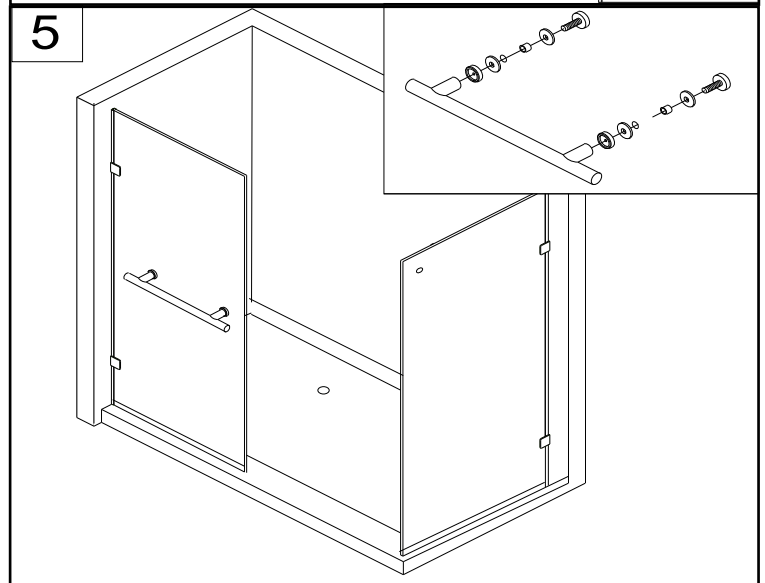
STEP 4 Fixed panel installation

Repeat step 1 tracing a line $3/8''$ (10mm) behind the end of the return glass panel. (Figure 4)
Repeat step 2 cutting the "U" channel #7 $7/8''$ (22mm) shorter than the line marking the end of the fixed side panel, keeping the necessary space for the door guide.
Repeat step 3.



STEP 5 Towel bar installation

Position the bar against the fixed panel keeping a plastic washer in between the metal and the glass. Screw from inside inserting correctly the plastic protection into the hole in the glass and the plastic washer in between the glass and the screw. (Figure 5)

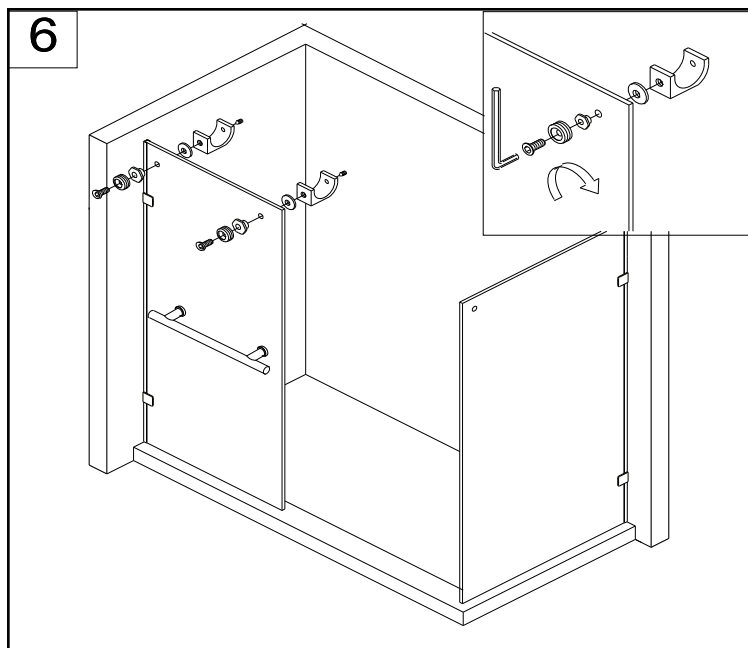


STEP 6 Support tube hook installation

Position the support tube hooks against the interior of the fixed glass panel (Figure 6) inserting a plastic washer in between the metal and the glass.

Screw gently and verify for proper integration of the plastic nut inside the hole of the glass panel.

Do not strongly tighten at this step.

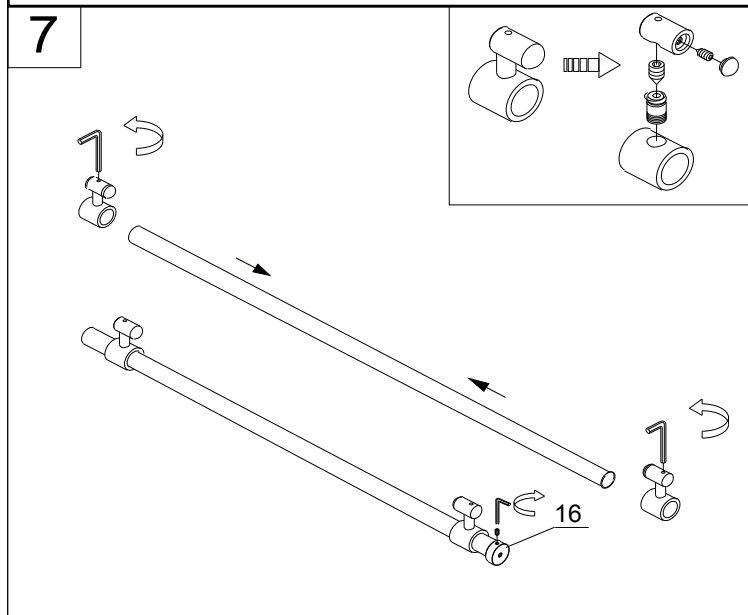


STEP 7 Door support tube installation

Insert the bumpers on the door support bar, ensuring that the plastic nozzles are towards the interior of the bar (Figure 7).

Do not tighten them at this step.

Position the wall fixation ring at the end of the bar and tighten the blockage screw.



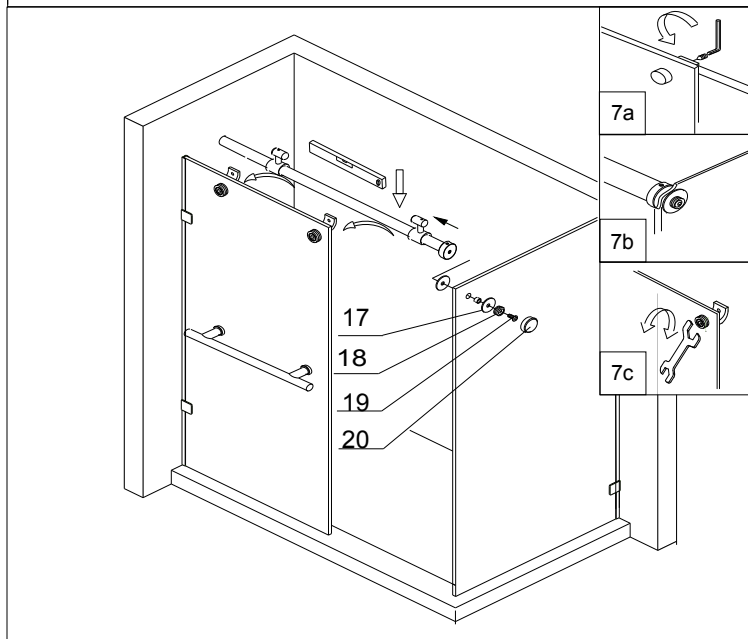
Install the bar on its hooks, verify the "front" bumper is now close to the fixed side panel and the "back" bumper is in between the two hooks, position the bar perfectly so it is abutting the fixed side panel.

Strongly tighten the hook blockage screws (Figure 7a).

Gently screw the tube to the fixed side panel (Figure 7b) loosen it up a bit for level settling.

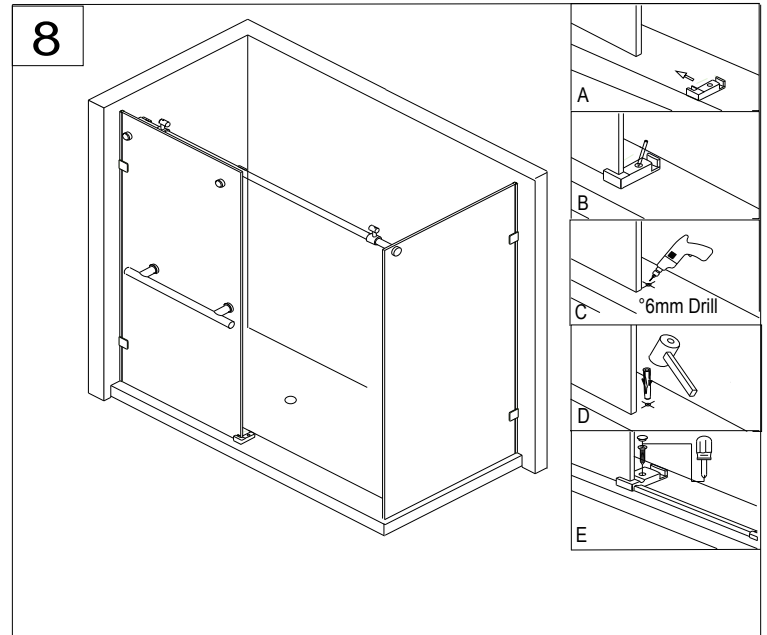
Using the provided plastic wrench, turn the white plastic nuts of the hooks until the door support tube is slightly tilted towards the front. (Figure 7c)

Strongly tighten the hooks and the support bar onto the fixed side panel, making sure to keep the bar's inclination.



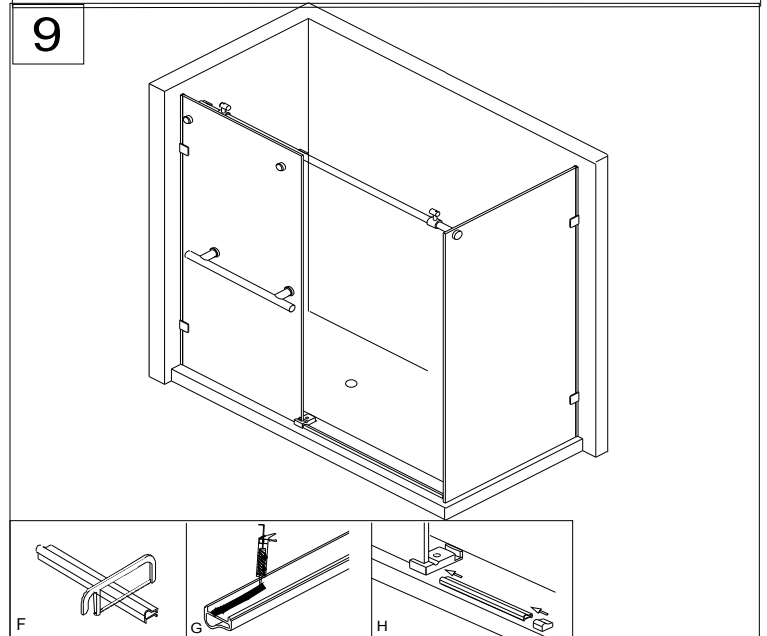
STEP 8 Door guide installation

Remove the protective ribbon of double backed tape under the door guide and position at the end of the fixed glass panel. Tighten the blockage screw inside. In the case of a base made of porous material (stone, slate, etc.) temporarily place the door guide at the end of the fixed glass panel and mark the drilling position on the base. Remove the door guide and drill the base at marked location with the appropriate drill bit. Secure it to the base with the provided plugs and screws.



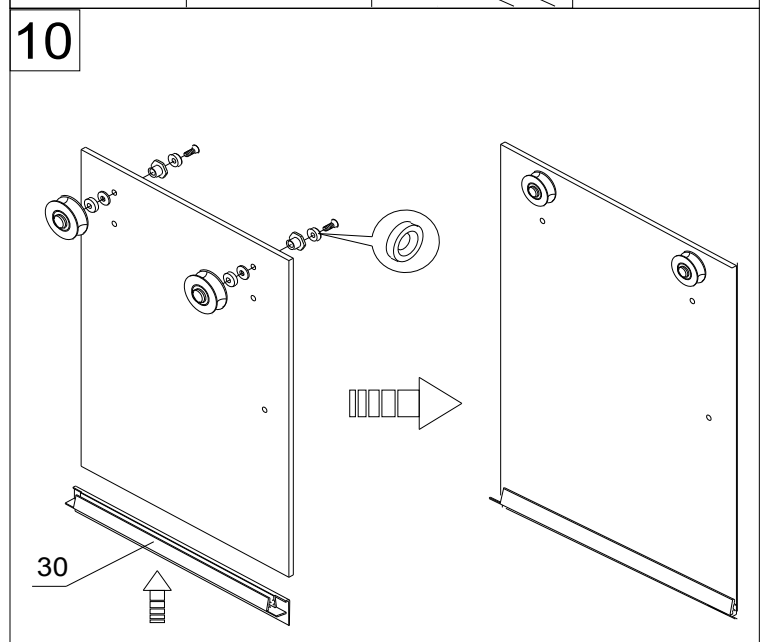
STEP 9 Threshold installation

Take measurement between the door guide and the fixed side panel and cut the threshold at this length. Make sure to protect the threshold with masking tape before cutting it, making sure not to damage the chrome finish. Apply a thin bead of silicone to its underside and position it on the base aligned with the fixed glass panel. Keep the threshold in place with masking tape.



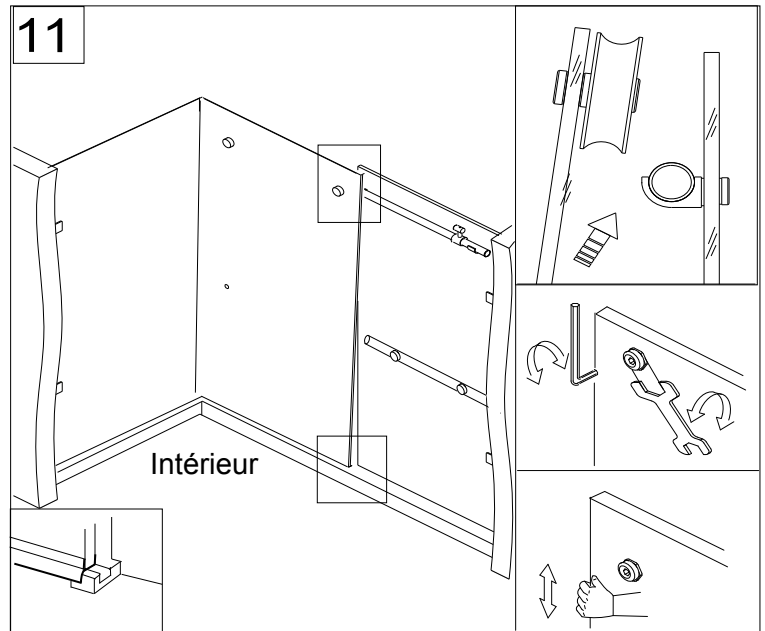
STEP 10 Door swipe and wheel installation on door panel

Place door swipe #30 under the door, lip towards shower interior. Align to the edge of the glass panel situated against the return glass panel side and trim the excess. Position the wheel on the front of the panel (Figure 10) placing a metal ring and a plastic washer between the wheel and the glass. Screw from inside, verify for proper integration of the plastic nut inside the hole of the glass panel making sure the wheel is as low as possible on the door (turn the white plastic nut for this adjustment). Firmly screw and repeat the operation with the second wheel.



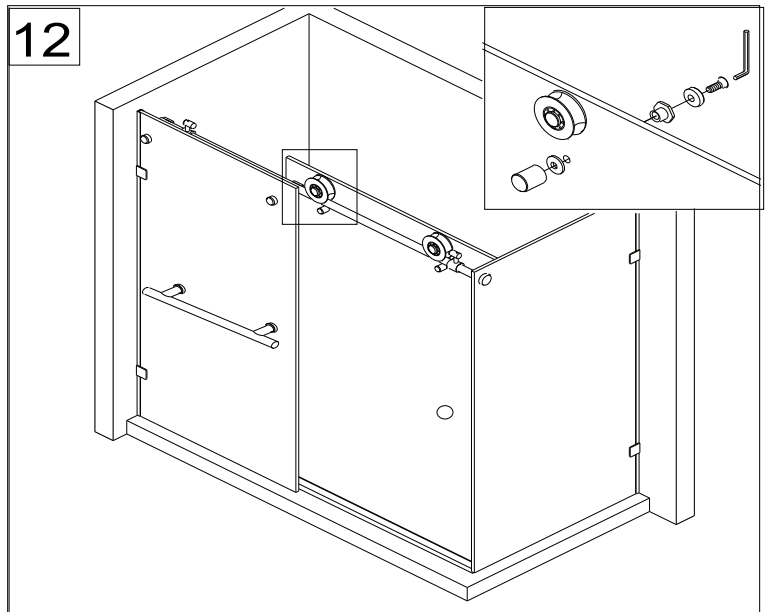
STEP 11 Door panel installation

Position the door panel on the support bar. Make sure the wheels are well rested on the bar and integrate the panel into the door guide. Slide the door panel towards the fixed side panel and verify alignment. If needed, to correct the alignment, slightly loosen the wheels and, while supporting the weight of the door on the wheels (one at a time), turn the white plastic nuts with the provided plastic wrench until the door is well aligned. Firmly screw the wheels, ensuring not to unsettle the door level.



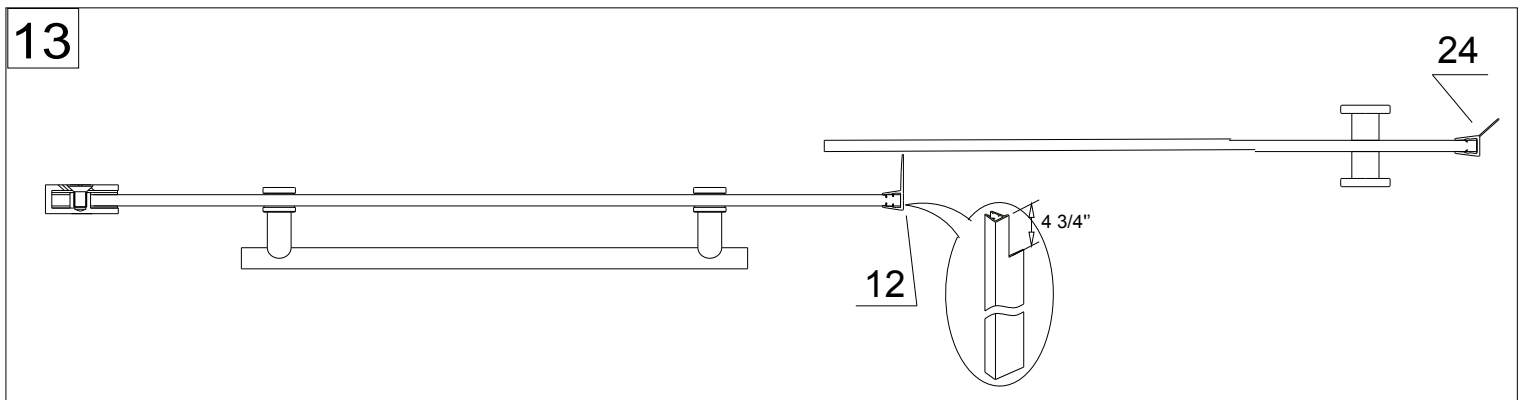
STEP 12 Blocking cylinders installation

Position one of the blocking cylinders on the door panel placing a plastic washer in between the metal and the glass. Screw from inside, verify for proper integration of the plastic nut inside the hole of the glass panel, making sure the cylinder is as high as possible on the door (turn the white plastic nut for this adjustment). Firmly tighten making sure not to unsettle the cylinder position and repeat operation with the second cylinder.



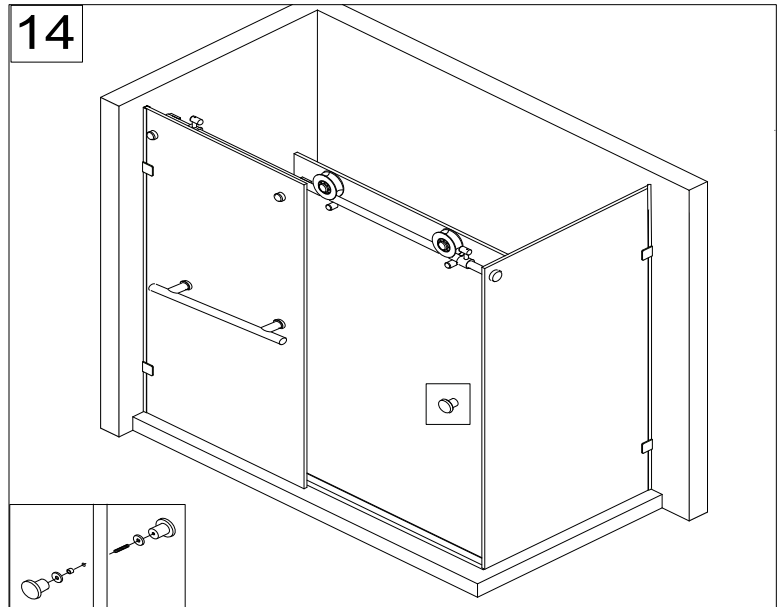
STEP 13 Waterproof gasket installation

Groove 4 3/4" (120mm) on top of the gasket #12 (Figure 13) and install it at the end of the fixed panel. Position the waterproof gasket #24, at the end of the door panel on the side of the return glass panel in junction with the door swipe.

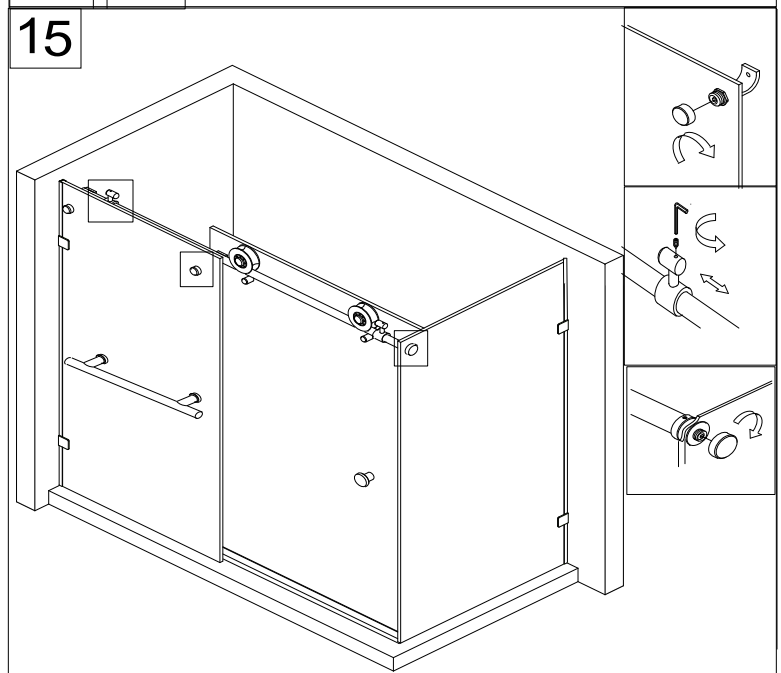


STEP 14 Final touch

Install the door handle. (Figure 14)



Place the hook and fixed side panel tube support caps.
Set the "back" bumper in order to get the widest door opening making sure the door handle doesn't hit the waterproof gasket #12 and set the "front" bumper in order to make sure the door closes perfectly without strongly hitting the fixed side panel.



STEP 15 Assure waterproofing

Carefully apply a thin bead of clear silicone to the exterior locations indicated. (Figure 16)
Immediately clean any excess silicone with a clean dry cloth.

Care of your frameless shower enclosure:

•DO NOT USE YOUR SHOWER ENCLOSURE WITHIN 24 HOURS AFTER ASSEMBLY.

•NEVER use caustic cleaning products or abrasive material, nor any cutting instruments when cleaning the hardware or glass.
To conserve the new characteristic of the metal and glass panels, occasionally clean them with gentle detergent and water.
Use of abrasive products on any part of the shower enclosure automatically voids the warranty.

