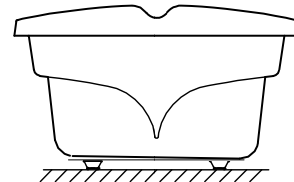
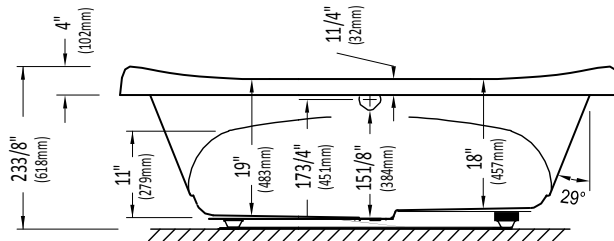
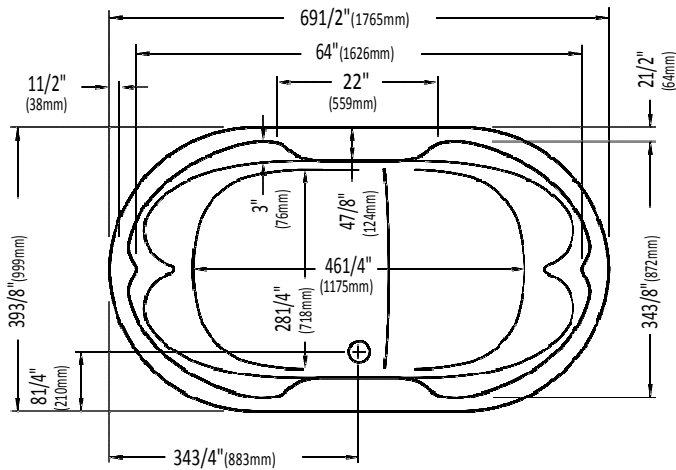




Produits Neptune

# ELYSEE

Bathtub



\* A bathtub fitted with back jets can cause the pump to protrude by approximately 3" from the overall dimension.

\*\* All dimensions are approximate and subject to change without notice. Please refer to the installation guide before beginning the installation