

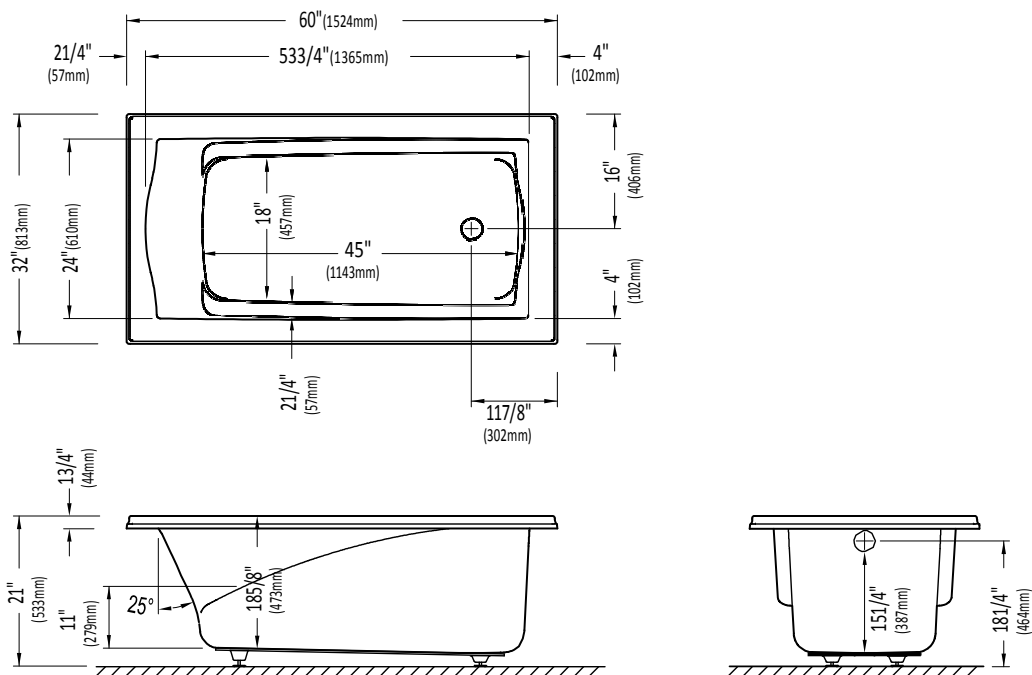


Produits Neptune

# DELIGHT3260

DROP-IN

Bathtub



\* A bathtub fitted with back jets can cause the pump to protrude by approximately 3" from the overall dimension.

\*\* All dimensions are approximate and subject to change without notice.  
Please refer to the installation guide before beginning the installation

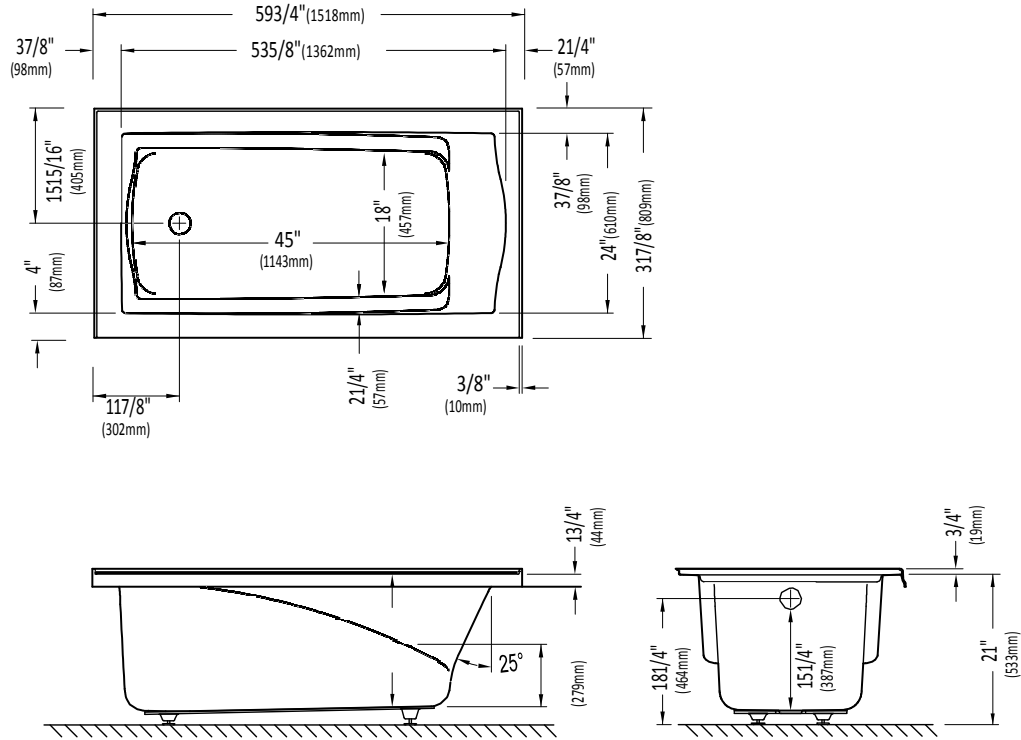


Produits Neptune

# DELIGHT3260

LEFT DRAIN WITH INTEGRATED TILING FLANGE

Bathtub



\* A bathtub fitted with back jets can cause the pump to protrude by approximately 3" from the overall dimension.

\*\* All dimensions are approximate and subject to change without notice. Please refer to the installation guide before beginning the installation

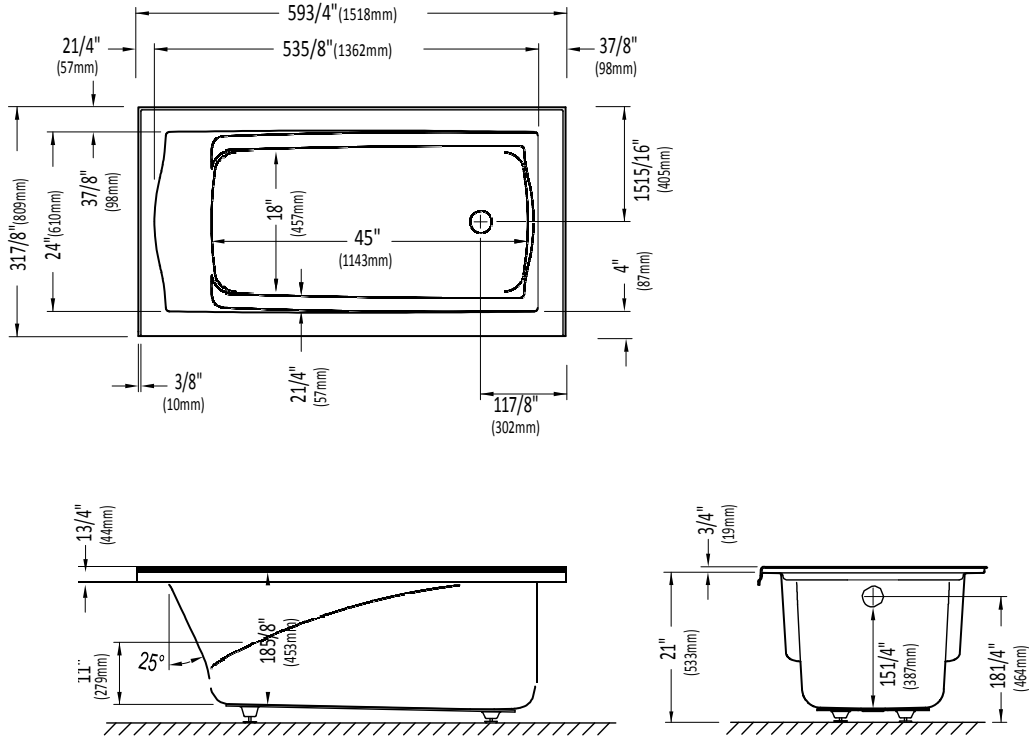


Produits Neptune

# DELIGHT3260

RIGHT DRAIN WITH INTEGRATED TILING FLANGE

Bathtub



\* A bathtub fitted with back jets can cause the pump to protrude by approximately 3" from the overall dimension.

\*\* All dimensions are approximate and subject to change without notice. Please refer to the installation guide before beginning the installation