

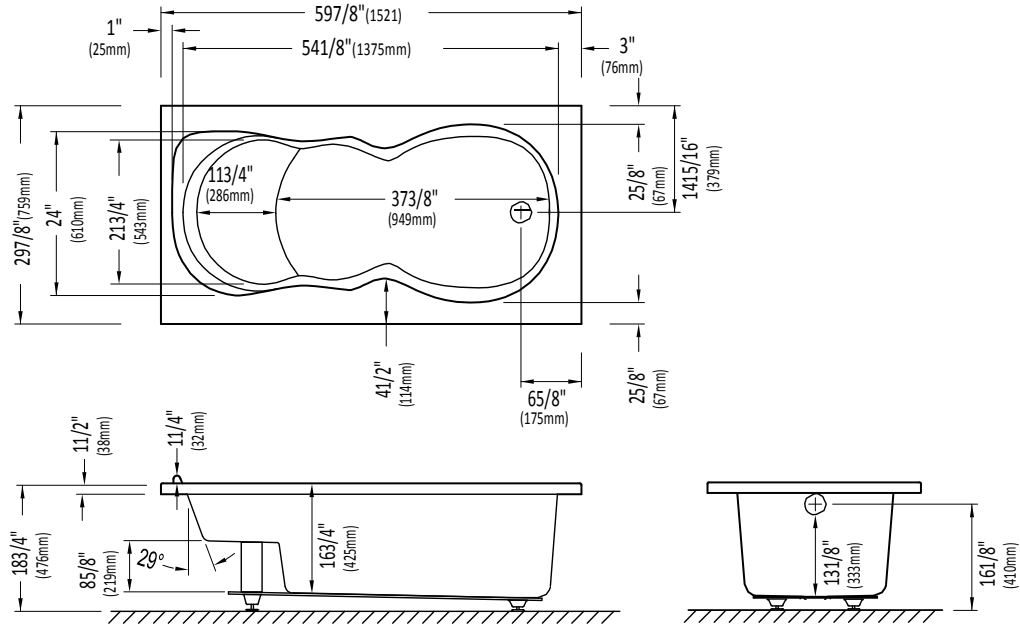


Produits Neptune

ANNA

DROP-IN WITH SEAT

Bathtub



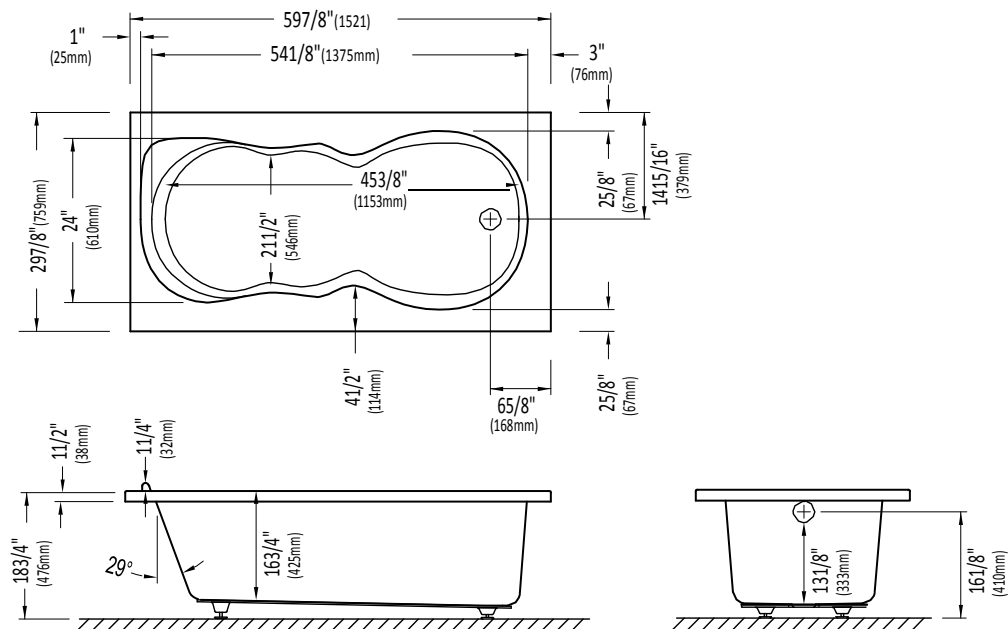
* A bathtub fitted with back jets can cause the pump to protrude by approximately 3" from the overall dimension.

** All dimensions are approximate and subject to change without notice. Please refer to the installation guide before beginning the installation



Produits Neptune

ANNA DROP-IN Bathtub



* A bathtub fitted with back jets can cause the pump top to protrude by approximately 3" from the overall dimension.

** All dimensions are approximate and subject to change without notice.
Please refer to the installation guide before beginning the installation